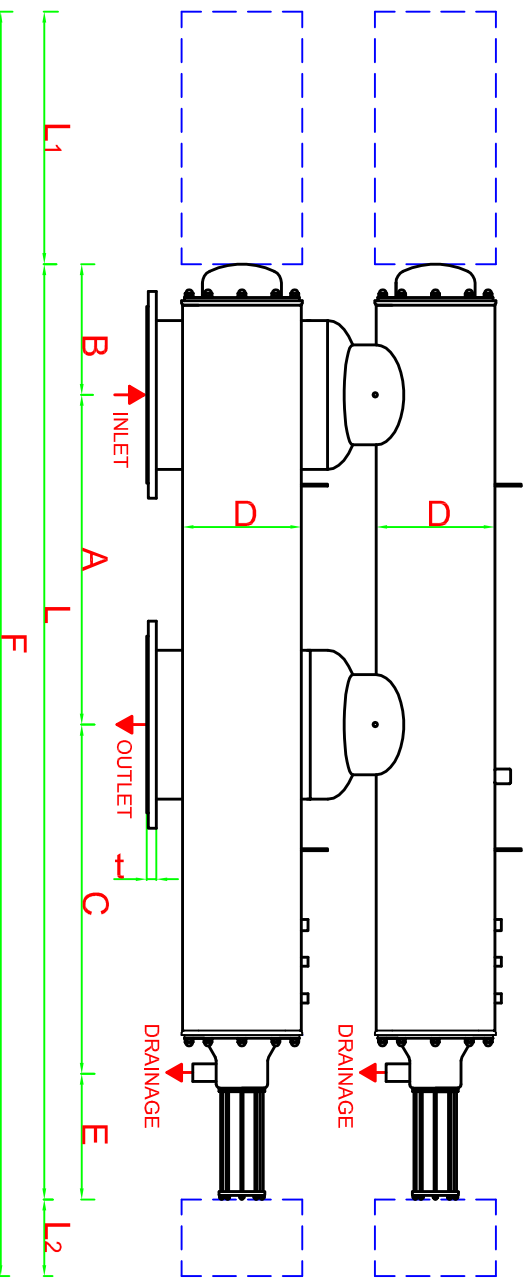
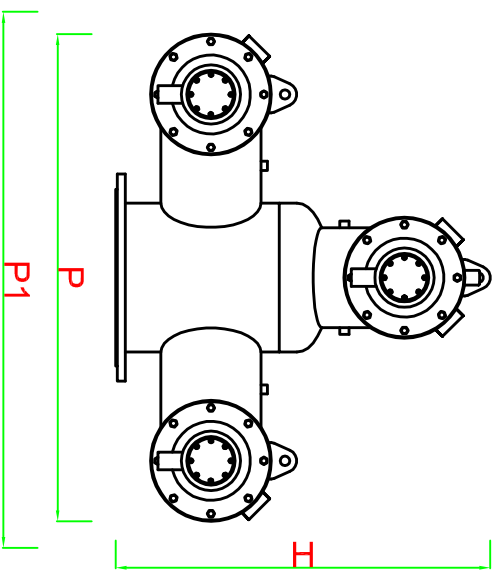
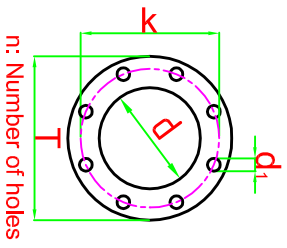


DATA SHEET



For high pressure, high temperature and different materials, custom made filters can be produced.

Body Material:	AISI 304L (316L optional)
Screen Material:	AISI 316L
Max. Operating Pressure:	10 bar
Min. Inlet Pressure Required During Back-Flush:	2 bar
Max. Operating Temperature:	60 °C
Headloss at Max. Flow Rate:	0,2 bar
Approximate Back-Flush Time:	60-80 sec.
Approximate Back-Flush Water Consumption:	450-600 l/back-flush
Control System:	Electric



FILTER MODEL	INLET/OUTLET		FLANGE SIZES ND 10 - DIN 2576								A min.	L	L1	L2	F	B	C	E	D	H	P	P1	WEIGHT (kg)		MAX. FLOW RATE m³/h	FILTRATION AREA cm²
	inch	DN	d	T	k	d1	n	t	FULL	EMPTY																
PTR 310608	8	200	219,1	340	295	22	8	24	900	2455	1700	500	4655	320	895	340	10"	900	1025	1825	835	350	420	21600		

All dimensions are in millimeters.

Antel-Fitemox reserves the rights to modify any of the technical information in this document without prior notification. All the rights for this drawing are belonging to ANTEL TREATMENT SYSTEM CONS.INDR.COM.CO.INCH. can not be copied or given to the persons without permission.

