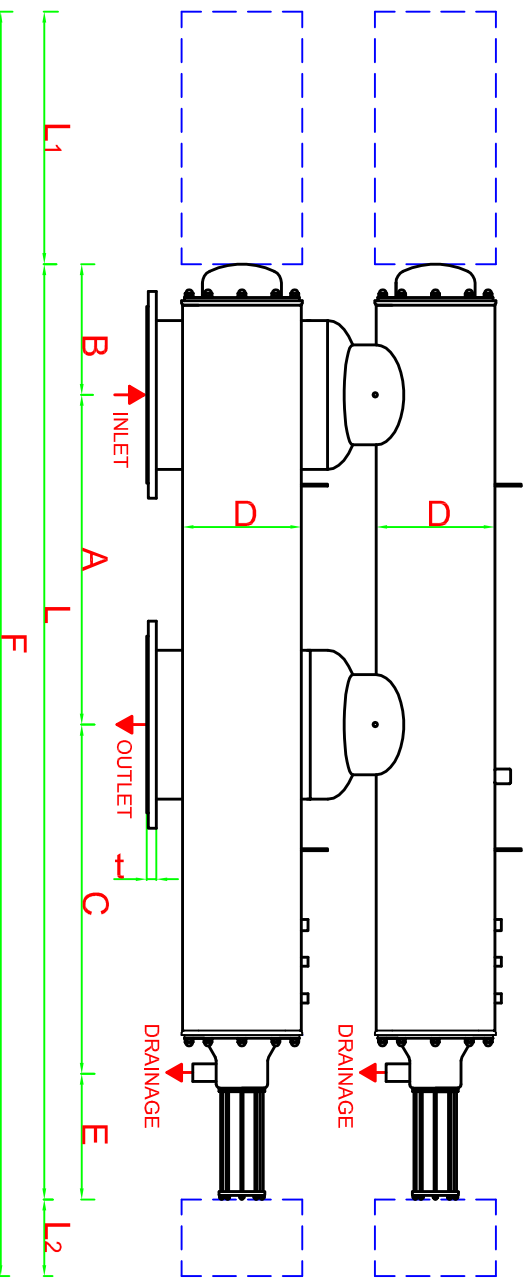
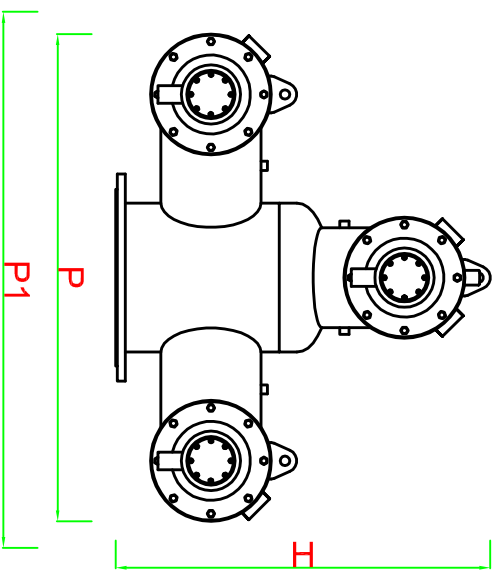
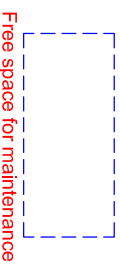
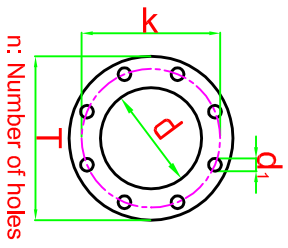


DATA SHEET



For high pressure, high temperature and different materials, custom made filters can be produced.

Body Material:	AISI 304L (316L optional)
Screen Material:	AISI 316L
Max. Operating Pressure:	10 bar
Min. Inlet Pressure Required During Back-Flush:	2 bar
Max. Operating Temperature:	60 °C
Headloss at Max. Flow Rate:	0,2 bar
Approximate Back-Flush Time:	60-80 sec.
Approximate Back-Flush Water Consumption:	450-600 l/back-flush
Control System:	Electric



FILTER MODEL	INLET/OUTLET		FLANGE SIZES ND 10 - DIN 2576							A min.	L	L1	L2	F	B	C	E	D	H	P	P1	WEIGHT (kg)		MAX. FLOW RATE m³/h	FILTRATION AREA cm²
	inch	DN	d	T	k	d1	n	t	FULL													EMPTY			
PTR 312616	16	400	406,4	565	515	26	16	32	900	2590	1700	500	4790	390	960	340	12"	1025	1175	1975	1075	480	1500	21600	

All dimensions are in millimeters.

Aniel-Fitemox reserves the rights to modify any of the technical information in this document without prior notification. All the rights for this drawing are belonging to ANIEL TREATMENT SYSTEM CONS.INDRCOM.CO.INCIt can not be copied or given to the persons without permission.

