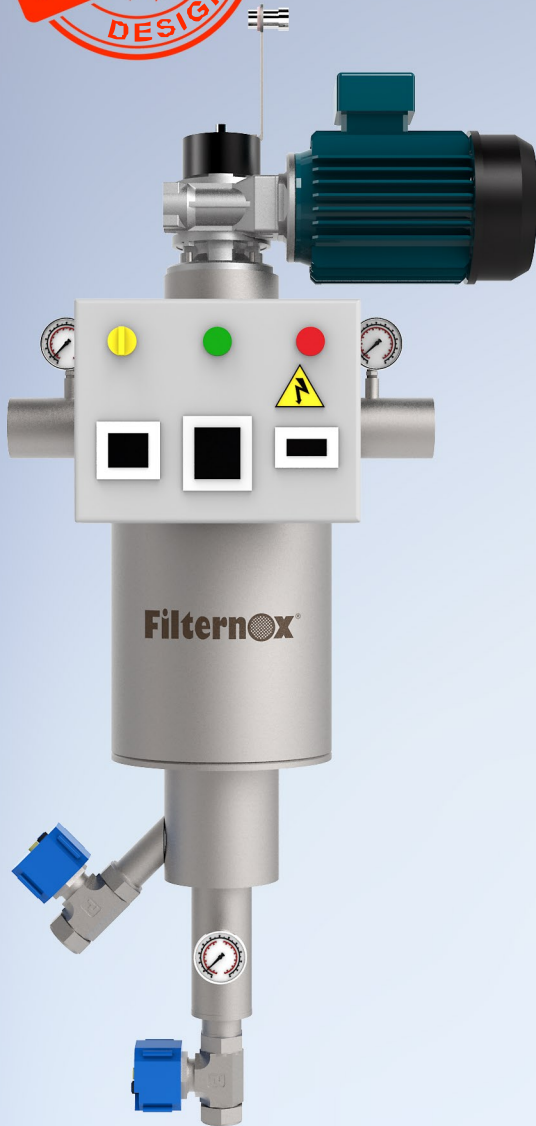
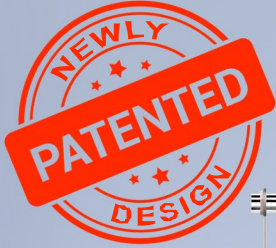


Compact Design for Low Flow Systems with Double Effect Cleaning Mechanism



+ **Filternox** FMS-WBV-MR models are motorized compact filters designed for dealing with high dirt loads and low liquid flow rates.

With their specially developed double effect self-cleaning system consisting of brushes and vacuum nozzles, **Filternox** FMS-WBV-MR filters achieve an exceptional performance and offer a permanent and definitive solution for variable high dirt load applications and low flow rates.

- + Automatic self cleaning system
- + No replacement needed for filter elements
- + Ease of use and installation
- + Double effect self-cleaning system with brush and vacuum nozzles
- + Filtration of both coarse and fine particles in the same unit
- + Low backflush water consumption
- + Uninterrupted filtration during backflush
- + PLC control mechanism
- + As per requirement the control to be provided by electric control box on filter or wall type
- + Minimum footprint

General Technical Specifications

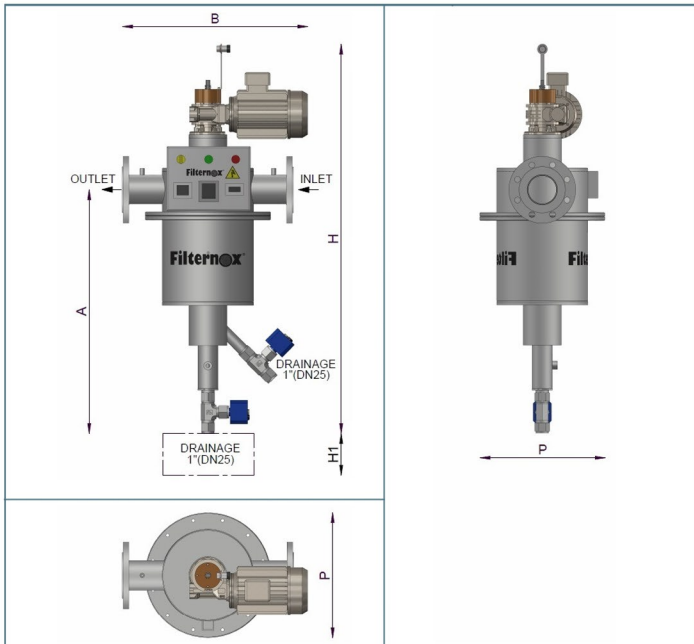
Body Material AISI 304L, AISI 316L	Max. Operating Temperature 60°C / 90°C	Back-Flush Water Consumption 100-150l / back-flush
Screen Material AISI 316L	Headloss at Max. Flow Rate 0.2 bar	Fine Screen Range 10-3000 micron
Max. Operating Pressure PN10 / PN16	Back-Flush Time 30-40 s	Control System Electric
Min. Inlet Pressure Required During Back-Flush 1,5 bar	rpm of Cleaning Mechanism Adjustable	

For different pressure and material requirements, please contact Filternox.

Optional Features

- Alternative Energy Sources**
Solar Energy
- Remote Control and Monitoring**
PLC, PC,
Mobile Devices,
Filternox Head Office

Model Dimensions



- The tolerance value for given data is according to DIN ISO 2768-1(v).
- For larger filtration area, please contact Filternox.

Model	Inlet-Outlet Diameter		Dimensions					Weight		Filtration Area
			A	B	H	H1	P	Empty	Full	
	inch	mm	mm					kg		cm ²
FMS-WBV 108102-MR	2	50	690	510	1110	300	360	60	75	1250
FMS-WBV 110103-MR	3	80	705	557	1140	300	460	72	88	1800
FMS-WBV 112103-MR	3	80	705	582	1140	300	485	80	100	2250
FMSL-WBV 110104-MR	4	100	845	557	1300	300	460	95	110	2750
FMSL-WBV 112104-MR	4	100	845	582	1300	300	485	110	125	3400

