

## Two Stage Filtration in One Filter Unit



+ Automatic self-cleaning **Filternox®** KQR-B-VMR models with rust proof body are ideal and a permanent solution for sea and surface water filtration systems.

+ Suitable for water sources with very high dirt loads and high flow rates.

+ KQR-B-VMR models have a unique coarse-screen and multiple fine screens with one inlet and outlet, able to make two stage filtration.

+ KQR-B-VMR can be installed inline or online.

### General Technical Specifications

<b>Body Material</b> AISI 304L, AISI 316L	<b>Max. Operating Temperature</b> 60°C / 90°C	<b>Back-Flush Water Consumption</b> 600-1000 l / back-flush
<b>Screen Material</b> AISI 316L	<b>Headloss at Max. Flow Rate</b> 0.2 bar	<b>Fine Screen Range</b> 10-3000 micron
<b>Max. Operating Pressure</b> PN10 / PN16	<b>Back-Flush Time</b> 80-120 s	<b>Control System</b> Electric
<b>Min. Inlet Pressure Required During Back-Flush</b> 2 bar	<b>rpm of Cleaning Mechanism</b> Adjustable	

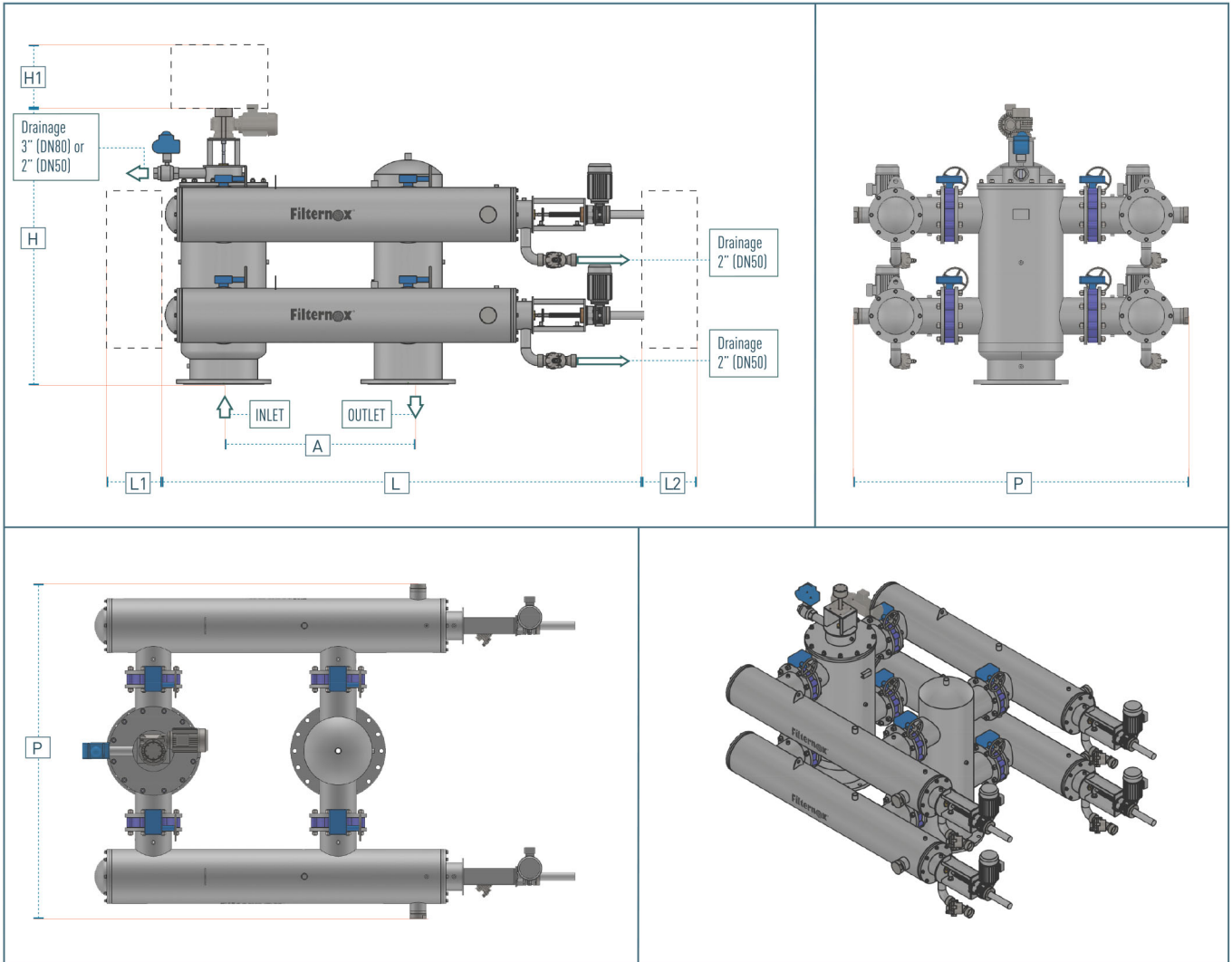
For different pressure and material requirements, please contact Filternox.

### Optional Features

**Alternative Energy Sources**  
Solar Energy

**Remote Control and Monitoring**  
PLC, PC,  
Mobile Devices,  
Filternox Head Office

## KQR-B-VMR Model Dimensions



Model	Inlet-Outlet Diameter		Dimensions							Weight		Flow Rate	Filtration Area	
			A	L	L1	L2	H	H1	P	Empty	Full		Stage 1	Stage 2
	inch	mm	mm							kg		m <sup>3</sup> /h	cm <sup>2</sup>	
KQR 412616-VMR	16	400	1200	2745	1700	200	1770	700	2014	1320	2730	up to 1500	11100	28800
KQR 414618-VMR	18	450	1200	2745	1700	200	1770	700	2246	1430	2850	up to 1800	14000	38400
KQR 416620-VMR	20	500	1200	2796	1700	200	2100	1000	2348	1570	3040	up to 2000	20000	48000
KQR 420624-VMR	24	600	1200	2890	1700	200	2150	1000	2696	1850	3560	up to 2500	28500	64800
KQR 620630-VMR	30	750	1200	2890	1700	200	2800	1700	2900	2420	4380	up to 3500	44000	97200



- Tolerance value for given data is according to DIN ISO 2768-1(v).
- For options with larger filtration area, please contact Filternox.

For more information and operating principle video of KQR-B-VMR models, please visit our website.

