



AUTOMATIC SELF-CLEANING FILTER

[www.filternox.com](http://www.filternox.com)

# SPT

## Economical Models

# High Capacity Universal Filter

**Filternox**® Automatic Self-Cleaning SPT models are suitable for low and medium flow applications in industry, cooling tower, irrigation and domestic applications.

**Filternox**® Automatic Self-Cleaning Filters, with their stainless steel construction, hydraulic controlled pressure operation not requiring electrical power, automatic self-cleaning system and ease of installation and maintenance are a total and permanent solution to filtration requirements.



# SPT

## General Technical Specifications

<b>Body Material</b>	: AISI 304L (AISI 316L optional)	<b>Headloss at Max. Flow Rate</b>	: 0.2 bar
<b>Screen Material</b>	: AISI 316L	<b>Appr. Back-Flush Time</b>	: max. 10-15 sec.
<b>Max. Operating Pressure</b>	: 10 bar (16-25 bar optional)	<b>Appr. Back-Flush</b>	
<b>Min. Inlet Pressure Required</b>		<b>Water Consumption</b>	: 80-120 l/back-flush
<b>During Back-Flush</b>	: 2 bar	<b>Control System</b>	: Hydraulic or Electric
<b>Max. Operating Temperature</b>	: 60°C (90°C optional)	<b>Fine Screen Range</b>	: 10 - 3000 micron

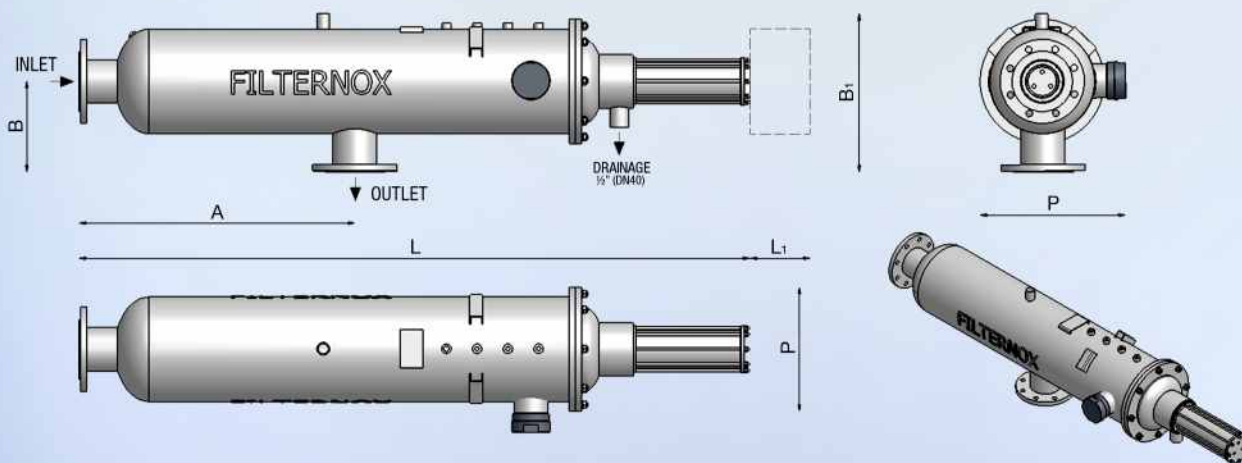
For low pressure (0.5-2 bar) and different materials, custom made filter can be produced.

For larger surface area and optional Motor Reducer Models, please contact to the Filternox® local representatives.

## Standard SPT Models

Model	FLOW RATE (m <sup>3</sup> /h)	SURFACE AREA (cm <sup>2</sup> )	INLET-OUTLET DIAMETER		DIMENSIONS						WEIGHT	
			(inch)	(mm)	A	B	B1	L	L1	P	(Empty)	(Full)
					(mm)						(kg)	
SPT 110303	25-50	3600	3	80	528	237	414	1537	700	369	50	80
SPT 110304	30-80	3600	4	100	528	237	414	1537	700	369	53	83
SPT 110404	40-100	4800	4	100	625	237	414	1734	900	369	60	90
SPT 110504	50-110	6000	4	100	725	237	414	1934	1100	369	65	105
SPT 110604	60-120	7200	4	100	825	237	414	2134	1300	369	70	120
SPT 110406	40-130	4800	6	150	666	267	444	1755	900	369	64	94
SPT 110506	50-140	6000	6	150	766	267	444	1955	1100	369	79	109
SPT 110606	60-160	7200	6	150	866	267	444	2155	1300	369	85	125

Dimensions and technical specifications are only for information. Antel-Filternox® reserves the right to modify them. Please contact Antel-Filternox® or local representative for actual and detailed information.



### ANTEL ARITMA TESİSLERİ İNŞAAT SANAYİ VE TİCARET A.Ş.

Nurettin Duman Sk. Kızıltoprak Plaza No: 34 Yukarı Dudullu / Ümraniye 34775 İstanbul - TURKEY

P +90 216 499 80 01 F +90 216 499 80 09

info@filternox.com www.filternox.com